

VISION X

SIMPLE AND EFFECTIVE

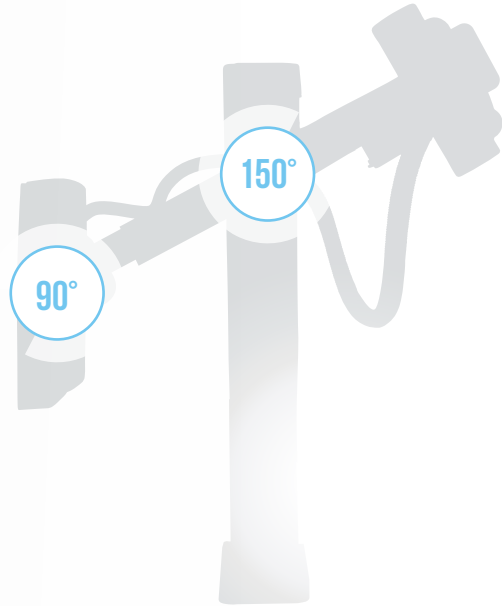


V I S A R I S

DIGITAL RADIOGRAPHY ACCESSIBLE TO ALL

Vision X is universal, digital radiography (DR) device for wide range of general and specialized diagnostic needs. Easy manual positioning in all directions, including detector inclination for oblique projections, allows efficient handling of all patient types. Digital flat panel detector with big active area allows flexible imaging of all anatomies with high resolution. Direct digital radiography acquisition, with significantly lower doses compared to CR and film imaging and optimally adjusted image processing, automatically produces crystal clear images of any anatomy of interest. Integrated system console automatically controls all system components and enables operator with unprecedented simplicity and ease of use. Whether working in general practitioners office or at specialist ward, Vision X system will allow high patient throughput and images of exceptional diagnostic quality.





VISION X ALLOWS:

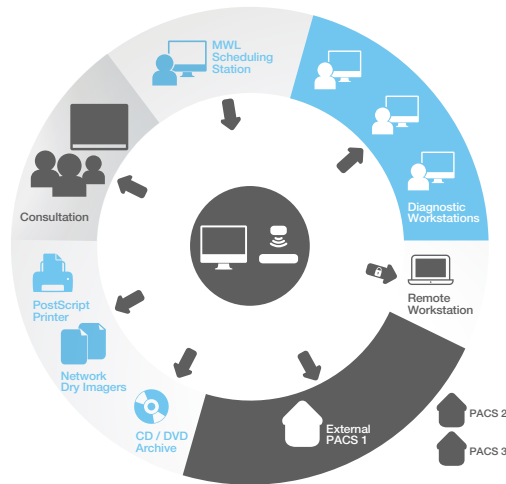
- Easy manual positioning of stand height, SID, angle of x-ray beam and of detector
- Light weight patient table for simple positioning of supine patients
- High frequency generator controllable from digital console
- High performance digital flat panel detector with exceptional image quality and 43x43cm active area
- Image display a couple of seconds after the exposition
- Automated patients and exam entry
- Anatomically programmed exposure conditions and image processing
- **DICOM** archiving in **PACS** and **CD**, multi-image printing
- Most affordable **DR** device on the market.

ALL REALESE SENSOR



EXCEPTIONAL
IMAGE QUALITY

MULTIPLE MOVEMENT CONTROLS



Latest generation, high sensitivity DR flat panel technology integrated in the Vision X system allows significant reduction in X-ray dosages while large 43x43 cm active area provides for imaging of all anatomies in high resolution. Automated, protocol specific image processing produces optimal visualisation of all anatomies while powerful post-processing tools such as structure enhancement and

contrast optimisation further improve diagnostic capabilities of the Vision X system. Integrated quality monitoring modules enable long-term monitoring and management of patient dosages and rejected images to give you complete control of the imaging process and safety of your patients and co-workers.



EFFICIENT SYSTEM CONTROL

Quick and easy stand positioning and motorized source-image-distance (SID) adjustment enables a wide spectrum of upright imaging of the chest and skeleton, supine imaging of patients on the table and various oblique techniques. Ergonomic user interface with multi-language support, integrated patients database, simple technique selection with automated exposure parameter setting for each technique and patient size and a very short acquisition time to from exposure to image on screen, enable a high patient throughput and make this system universally useful in all applications of radiography diagnostics.



OPTIONAL ACCESSORIES:
IMAGE STITCHING
STITCHING PATIENT STAND
5 FIELD AEC

5 FIELD AEC ●

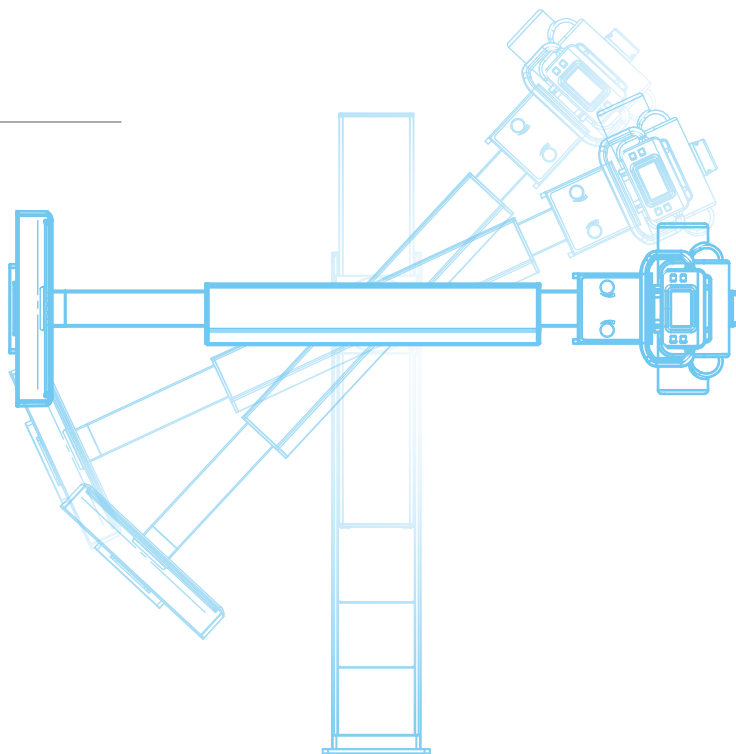


STANDARD ACCESSORIES:
DAP
TRIGGER BOX
PATIENT TABLE

Vision X is intended for the use in general diagnostic radiography imaging at all levels of medical care. Its high patient throughput makes it an ideal choice for primary care institutions with unified diagnostic imaging services and distributed image evaluation. The flexible stand design and modest room requirements also make this system suitable for small practices requiring affordable, high performance digital radiographic imaging.

All Visaris products run on own proprietary softwares making us a truly unique one stop shop:

MOTION AND POSITION ROBOTICS
IMAGE ACQUISITION
PACS
RIS
WORKSTATIONS



SIMPLE, EFFICIENT AND SAFE DIAGNOSTICS

Visaris is a company with many years of experience in manufacturing and installation of digital x-ray devices across 4 continents. Safety and wellbeing of each and every patient and user, using our devices, are our highest priority. All our devices are CE marked for safety and provide high diagnostic quality at all levels of healthcare.

Make use of digital technology advantages, improve image quality and diagnostic reliability, shorten exam time by using Vision X device and our relentless support will secure your well deserved peace of mind.

Visaris Team



V I S A R I S

Visaris, Batajnički drum 10, deo 1B, 11186 Zemun, Belgrade, Serbia
Tel: +381 11 2017 600, Fax: +381 11 2017 670, info@visaris.com

www.visaris.com